

5

4

3

SIZE
C

SC2045

REV
-

2

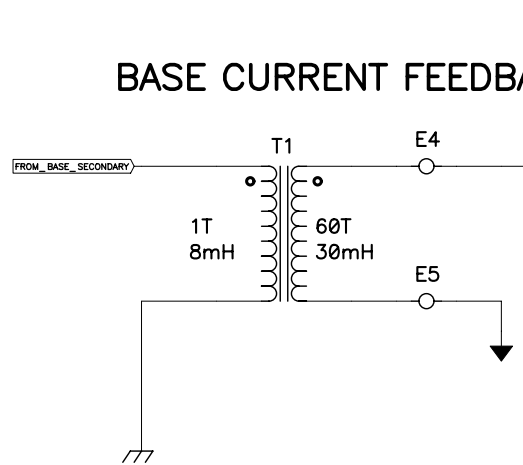
1

EASTERN VOLTAGE RESEARCH PROPRIETARY INFORMATION

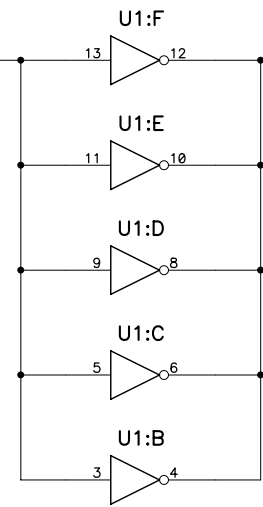
REVISIONS

LTR	DESCRIPTION	ZONE	ENG	DWG	DATE	APPROVED
-	INITIAL RELEASE		DHM			

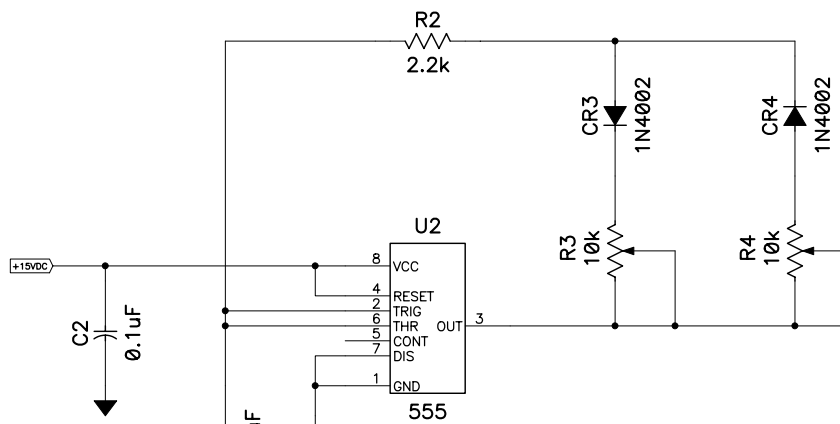
BASE CURRENT FEEDBACK



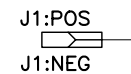
SN74HS14N
U1:A



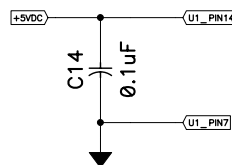
PULSE MODULATOR



EXTERNAL MODULATOR SIGNAL



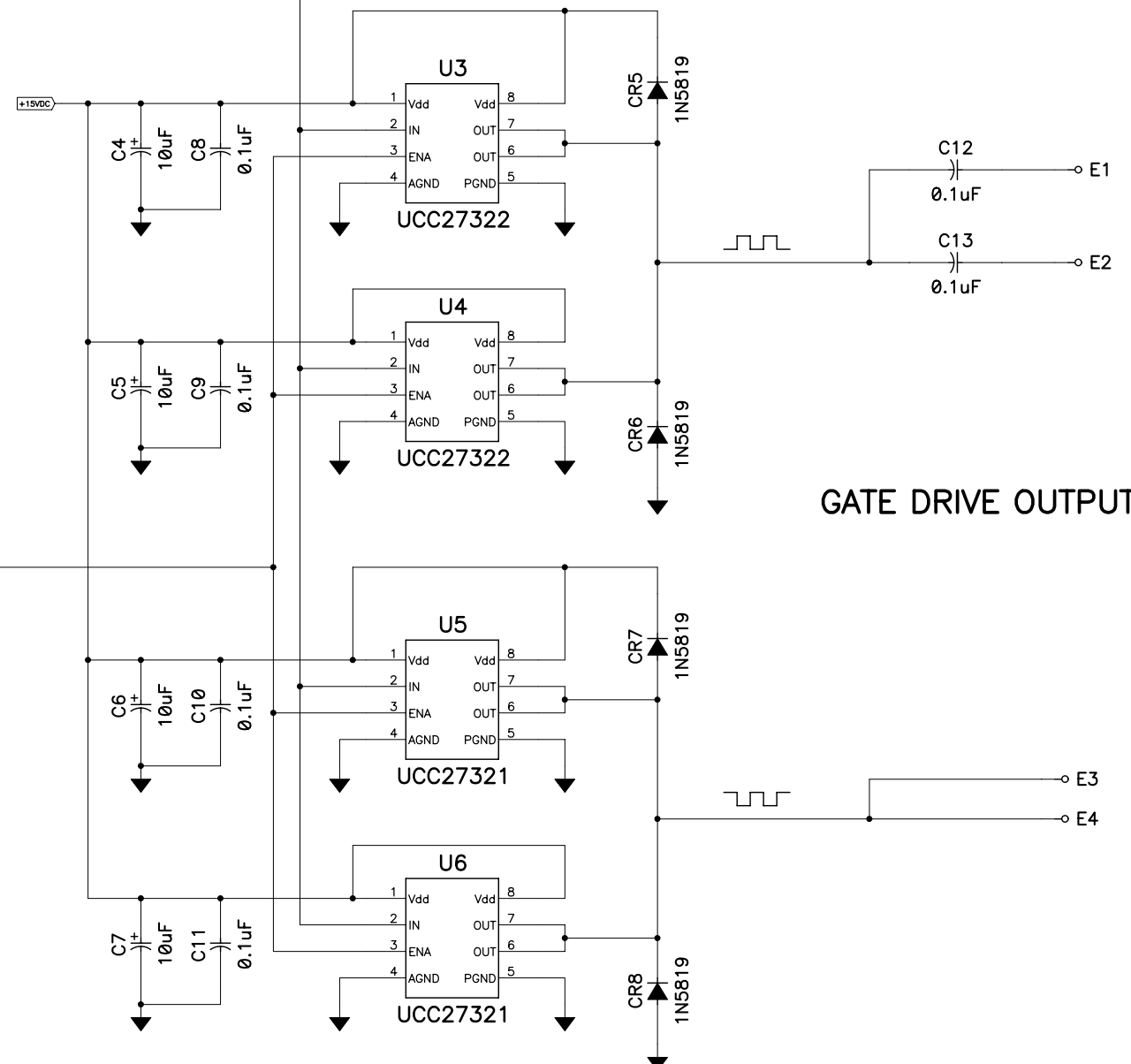
DIGITAL POWER CONNECTIONS



NOTES:

- 1. 1N60 GERMANIUM DIODES CAN BE SUBSTITUTED FOR THE 1N90'S.

GATE DRIVE OUTPUTS



5

4

3

2

1

TITLE EASTERN VOLTAGE RESEARCH BASE CURRENT FEEDBACK SELF-RESONANT DRIVER					
SIZE C	CAGE CODE IDENT NO.	DWG NO. SC2045	REV -		
SCALE NTS	ACT WT	CALC WT	SHEET 2 OF 3		
ACCEL CAD file: SC2045					