

Welcome to Schmidt Maschinenbau

For each bicycle the right hub dynamo.

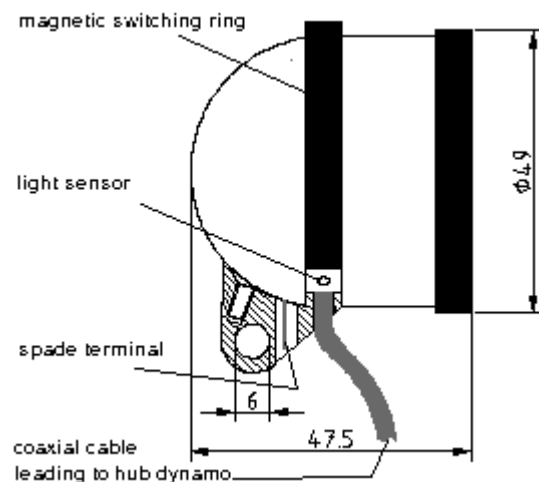
So far we didn't find the time to translate the german pages - sorry, but we are working on it.

SON 20 R



Here is information about our new hub generator [SON 20 R](#) as PDF-file.

LED-Headlight *Edelux*



Here is information about our new LED-Headlight [Edelux](#) as PDF-file.

Here you can get an article of Velo Vision Issue 30 June 2008 on [Edelux](#) as PDF-file.

Download

You may download [installation instructions](#) for our products as PDF-files.

Some English information about the SON can be found at:

www.peterwhitecycles.com/schmidt.asp

Our distributor in the US shows our range of products.

www.myra-simon.com/bike/dynotest.html

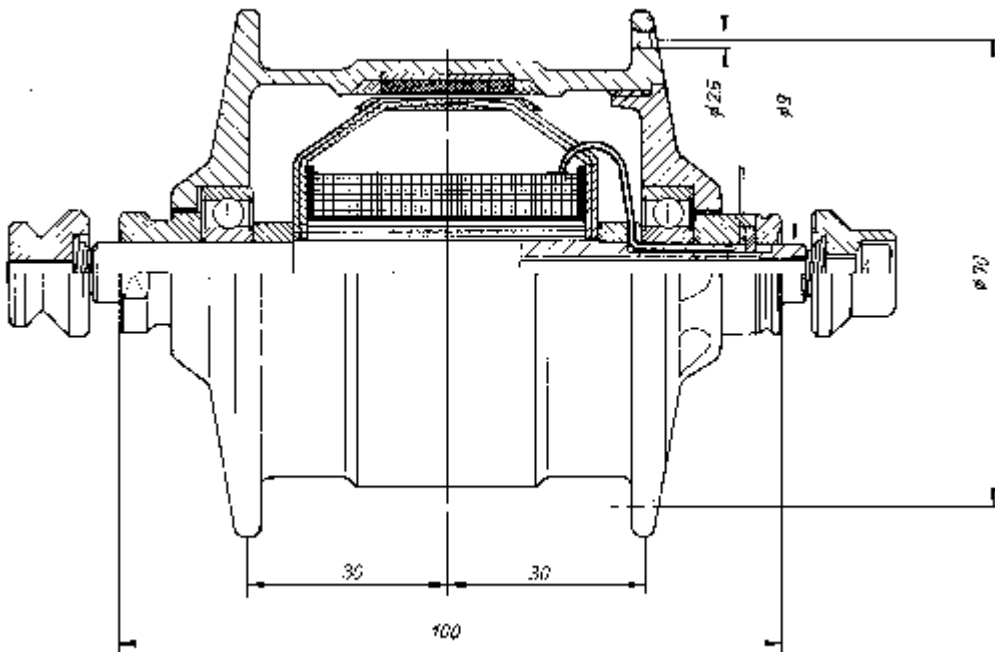
An older dynamo test article from the CTC magazine.

www.vintagebicyclepress.com/VBQgenerator.pdf

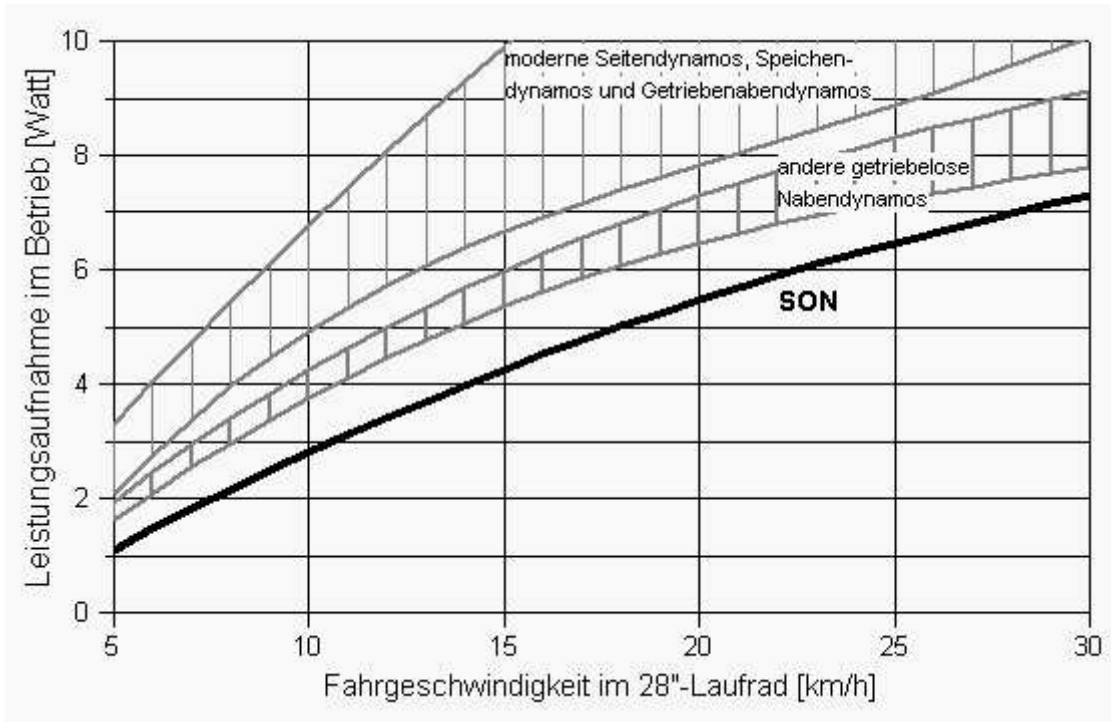
A comparison of current hub dynamos.

www.audax.uk.net/lights/dyno.htm

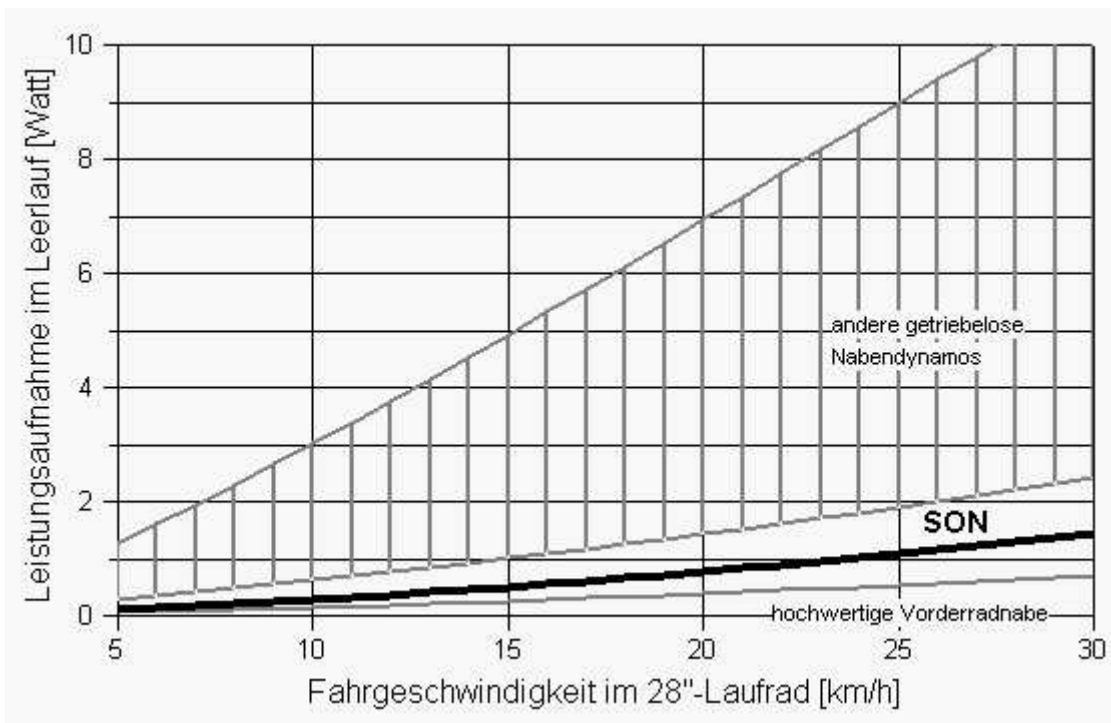
A survey of all aspects of dynamo use for long distance touring.



Generator Drag (measured in Watt) shown at speeds between 5 and 30km/h



Hub Drag (measured in Watt) with lights switched off



Translation of the terms used in the diagrams:

andere getriebe lose Nabendynamos
other gearless hub generators

Walzen-, Speichen- und Getriebe-Nabendynamos, neuere Seitendynamos
bottom bracket dynamos, hub generators with gearing, recent bottle dynamos

hochwertige Vorderradnabe
high-quality front wheel hub